

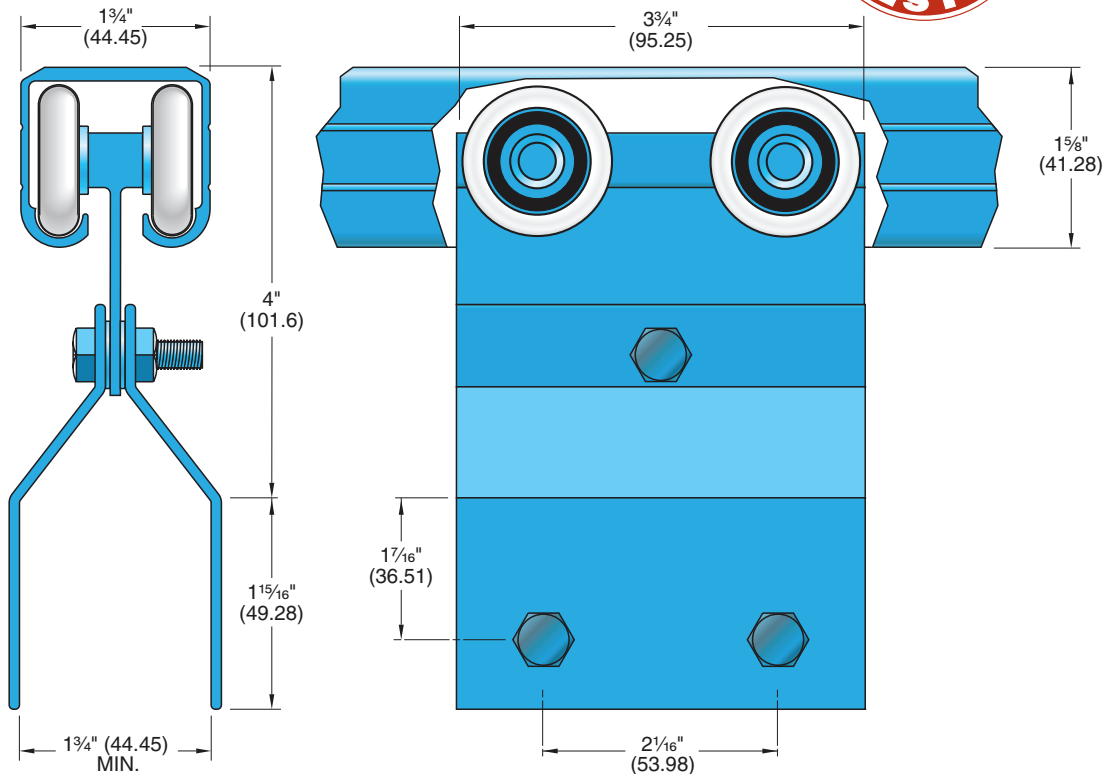


# C-107-4

- Extruded Aluminum Track
- 6063T5 Alloy Weighing 0.621 lbs. per foot
- **Load Capacity 350 lbs. (2 hangers)**



**C-107-4 Hanger with C-104 Track Detail**



<b>Part No.</b>	<b>Part Description</b>		
<b>Customer Name</b>	<b>Job No./Name</b>	<b>Date</b>	<b>Provided By</b>
<b>Note</b>			