

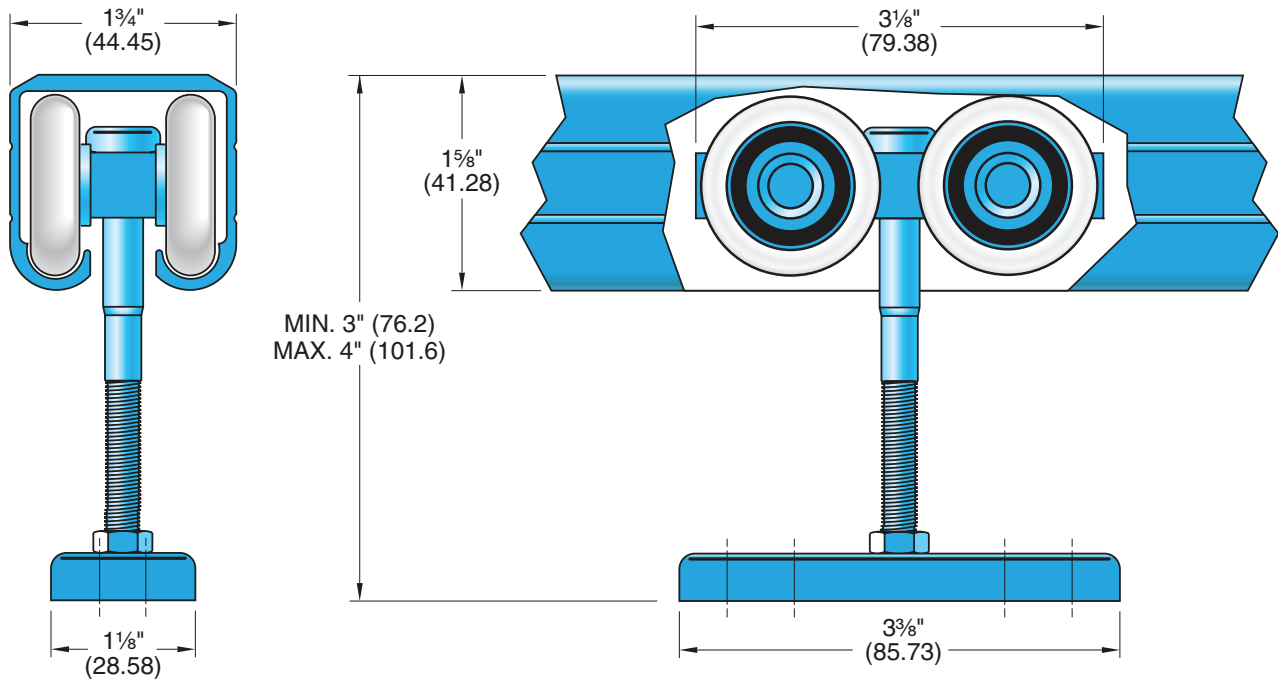


# C-106-4

- Extruded Aluminum Track
- 6063T5 Alloy Weighing 0.621 lbs. per foot
- **Load Capacity 175 lbs. (2 hangers)**



## C-106-4 Hanger with C-104 Track Detail curved track available



|                      |                         |             |                    |
|----------------------|-------------------------|-------------|--------------------|
| <b>Part No.</b>      | <b>Part Description</b> |             |                    |
| <b>Customer Name</b> | <b>Job No./Name</b>     | <b>Date</b> | <b>Provided By</b> |
| <b>Note</b>          |                         |             |                    |