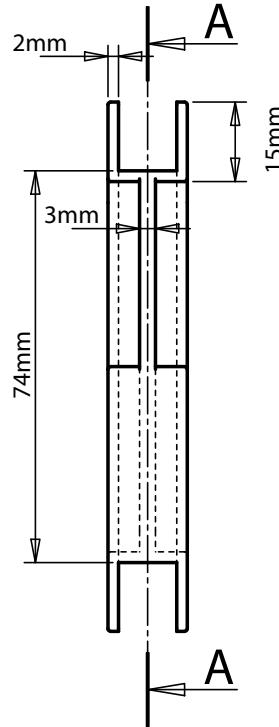
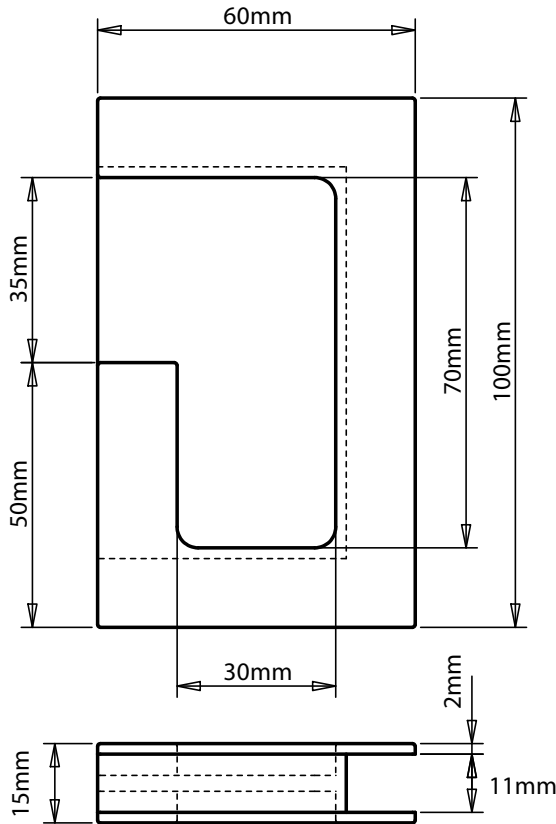
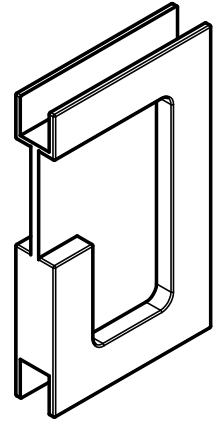




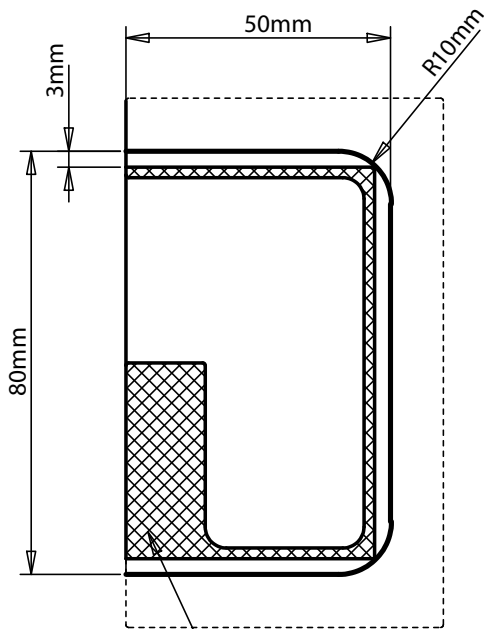
# CGP-038 GLASS DOOR PULL INSTALLATION TEMPLATE



### INSTALLATION:

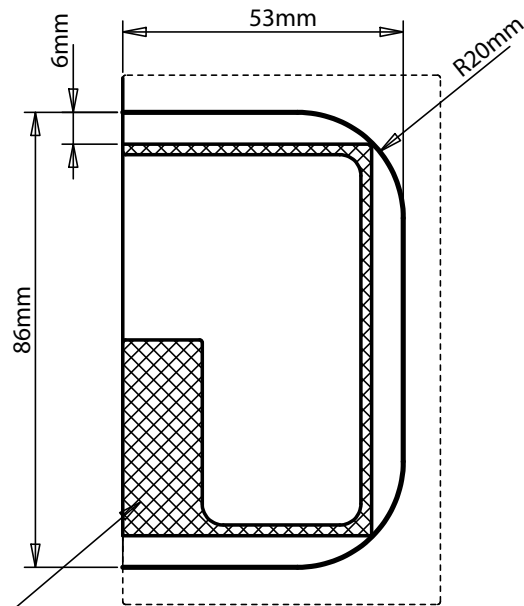
1. Cut glass as per the glass prep below.
2. Fill space between cut line and cross-hatched area with clear epoxy adhesive such as WEICON Easy Mix N-5000 and let dry and harden properly before use.

### GLASS PREP WITH 10mm RADIUS CUT 80mm X 50mm



The cross hatched area is the cut A-A

### GLASS PREP WITH 20mm RADIUS CUT 86mm X 53mm



**NOTE: template is not to scale**



K.N. CROWDER MFG. INC.  
1220 BURLOAK DRIVE  
BURLINGTON, ONTARIO, CANADA, L7L 6B3  
TELEPHONE: 905-315-9788 ---- FAX: 905-315-8090  
TOLL FREE FAX: 1-800-567-0123

K.N. CROWDER INC.  
210 EIGHTH STREET SOUTH  
LEWISTON, NEW YORK, U.S.A. 14092  
TELEPHONE: 1-716-754-8247  
TOLL FREE FAX: 1-800-567-0123

WEBSITE: [www.kncrowder.com](http://www.kncrowder.com) ---- E-MAIL: [customerservice@kncrowder.com](mailto:customerservice@kncrowder.com)