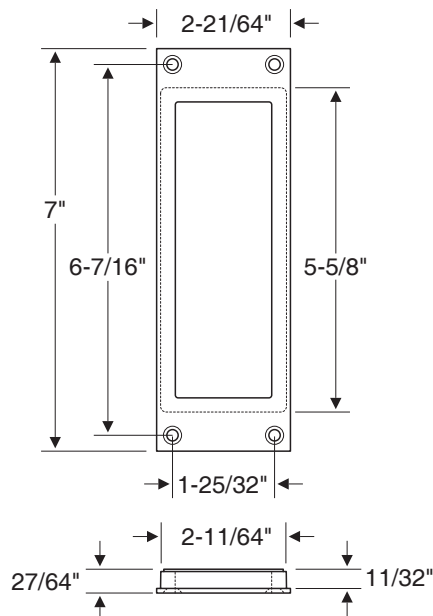


FLUSH PULL TEMPLATE C-80B

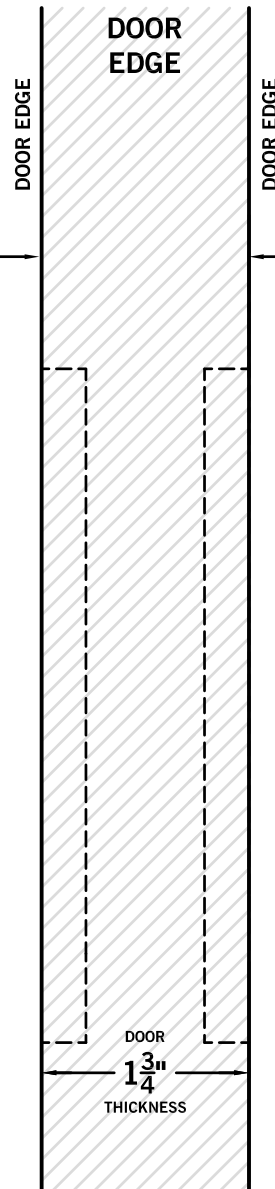
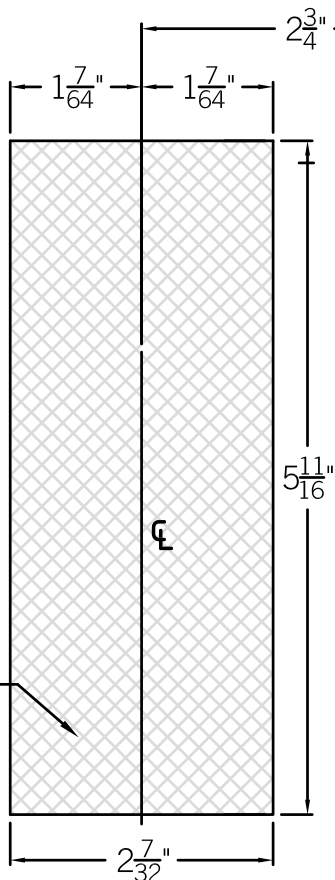


RECESSED POCKET
3/8" DEEP

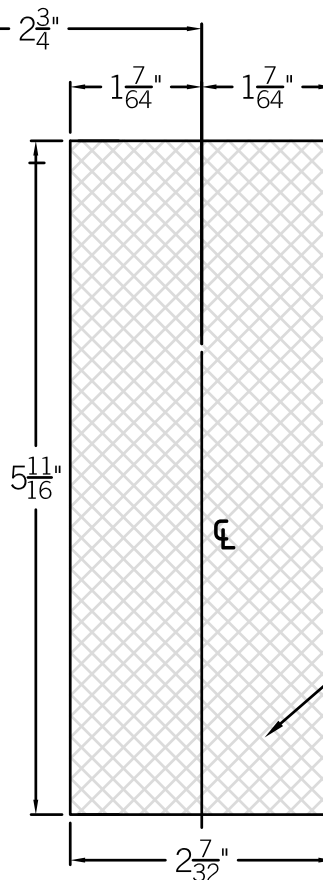
RESPONSIBILITY:
DOOR AND FRAME FABRICATORS
ARE RESPONSIBLE FOR PROVIDING
ADEQUATE CONSTRUCTION OR
REINFORCEMENTS FOR PROPER
INSTALLATION OF HARDWARE

NOTE:
BACKSET MEASURED FROM
CENTER OF DOOR EDGE

INSIDE
BACKSET AS REQUIRED:
TYPICAL:



OUTSIDE
BACKSET AS REQUIRED:
TYPICAL:



RECESSED POCKET
3/8" DEEP

(CAN ALSO BE USED FOR 1-3/8" THICK DOORS)

K.N. CROWDER MFG. INC.
1220 BURLOAK DRIVE
BURLINGTON, ONTARIO, CANADA, L7L 6B3
TELEPHONE: 905-315-9788 ---- FAX: 905-315-8090
TOLL FREE FAX: 1-800-567-0123

K.N. CROWDER INC.
210 EIGHTH STREET SOUTH
LEWISTON, NEW YORK, U.S.A. 14092
TELEPHONE: 1-716-754-8247
TOLL FREE FAX: 1-800-567-0123

