

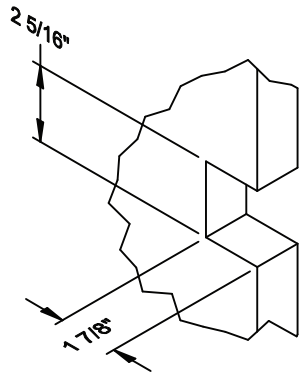
C-30 PRIVACY DOOR LOCK & PULL

C-40 PASSAGE PULL

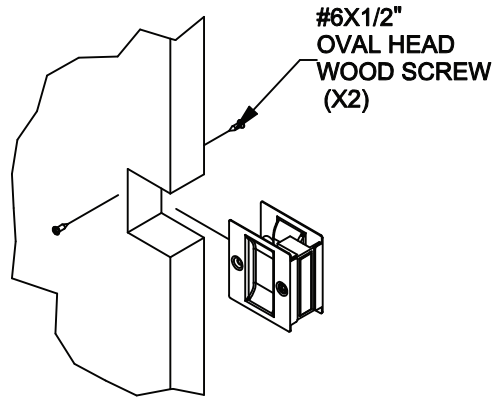
INSTALLATION INSTRUCTION SHEET



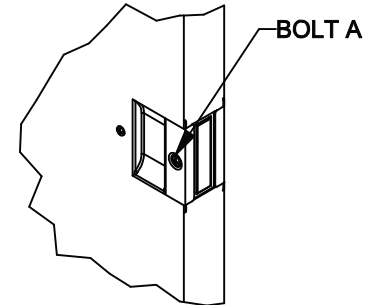
DOOR PREPARATION & INSTALLATION



1. CUT NOTCH IN DOOR AS SHOWN ABOVE.

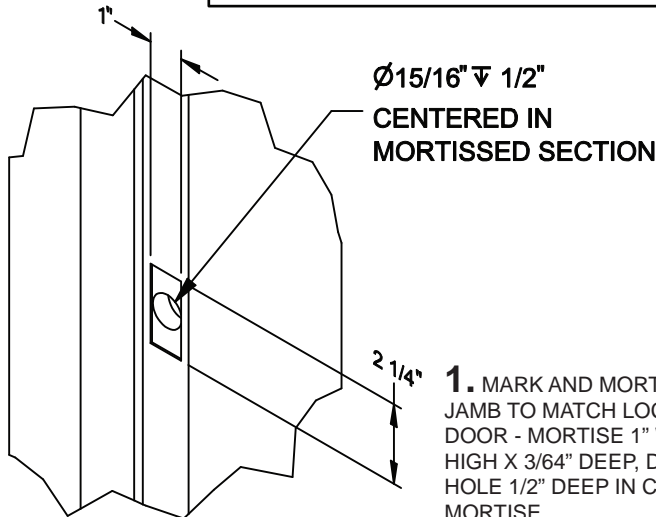


2. SLIP PULL INTO POSITION AS SHOWN



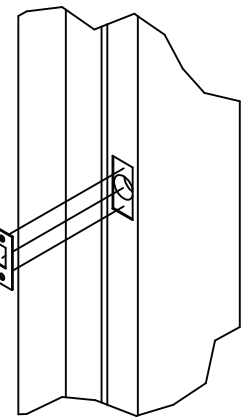
3. BOLT "A" (ONE PER SIDE) ADJUSTS WIDTH OF PULL AND TIGHTENS PULL ON DOOR. INSTALL WOOD SCREWS (STEP 2) AFTER ADJUSTING EACH BOLT "A".

STRIKE PREPARATION & INSTALLATION (C-30 ONLY)



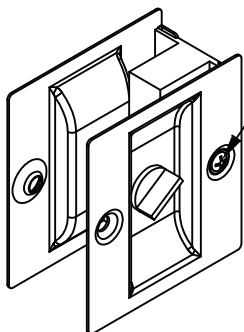
1. MARK AND MORTISE STRIKE ON JAMB TO MATCH LOCK POSITION ON DOOR - MORTISE 1" WIDE X 2-1/4" HIGH X 3/64" DEEP, DRILL $\varnothing 15/16$ " HOLE 1/2" DEEP IN CENTER OF MORTISE.

#6X3/4" UNDERCUT, FLAT HEAD WOOD SCREW (X2)



2. INSTALL STRIKE PLATE AS SHOWN ABOVE.

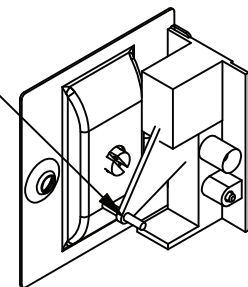
ASSEMBLE AFTER REVERSING PLATES



BOLT A

PLATES CAN BE REVERSED TO MATCH REQUIRED ORIENTATION. UNSCREW BOTH BOLTS "A" TO REMOVE PLATES. REVERSE AND REATTACHED. BE SURE TO ENGAGE FORK ARM WITH ROCKER PIN BEFORE REINSTALLING BOLTS.

ROCKER PIN



K.N. CROWDER MFG. INC.
 1220 BURLOAK DRIVE
 BURLINGTON, ONTARIO, CANADA, L7L 6B3
 TOLL-FREE PHONE: 1-866-999-1KNC (1562) --- PHONE: 905-315-9788
 TOLL-FREE FAX: 1-800-567-0123 --- FAX: 905-315-8090

K.N. CROWDER INC.
 210 EIGHTH STREET SOUTH
 LEWISTON, NEW YORK, U.S.A. 14092
 TOLL-FREE PHONE: 1-866-999-1KNC (1562) --- PHONE: 716-754-8247
 TOLL-FREE FAX: 1-800-567-0123