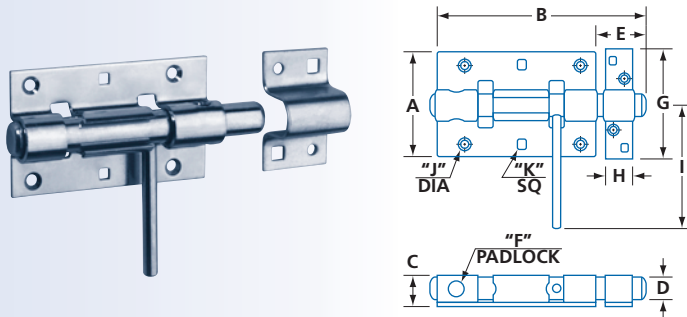


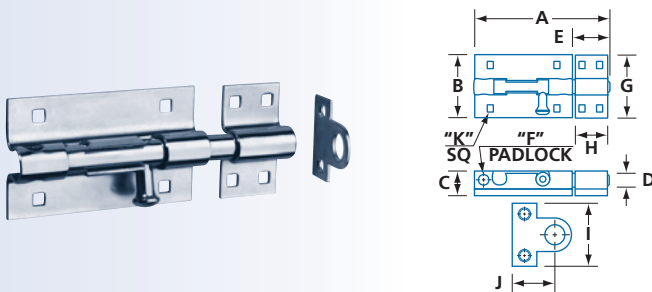
## EXTRA HEAVY-DUTY PADBOLT



- Finish: zinc plated

MODEL NUMBER	MATERIAL	FINISH	A	B	C	D DIA	E THROW	F DIA	G	H	I	J DIA	K SQ	PER BOX	WEIGHT LBS / KG
168K	Steel	C2G	3 (76)	6 3/4 (171.5)	1 1/8 (29)	13/16 (20)	1 3/4 (44)	1/2 (12.7)	3 1/4 (82)	1 3/16 (30)	3 9/16 (90)	1/4 (6.3)	1/4 (6.3)	5	9.0 / 4.1

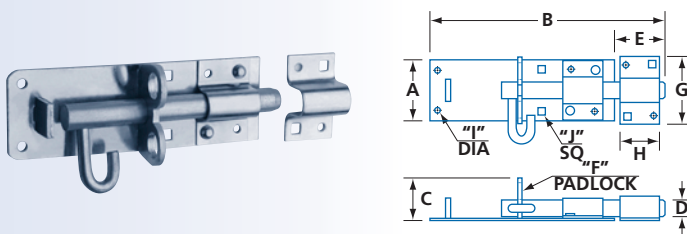
## STANDARD PADBOLT



- Complete with carriage bolts and screws
- Also available retail packaged
- Finish: zinc plated (ZP)

MODEL NUMBER	MATERIAL	FINISH	A	B	C	D DIA	E THROW	F DIA	G	H	I	J	K SQ	PER BOX	WEIGHT LBS / KG
1068-6	Steel	C2G	6 (152.4)	2 11/16 (68)	15/16 (24)	19/32 (15)	1 3/8 (34)	15/32 (12)	2 11/16 (51)	1 1/2 (38)	2 (51)	1 3/8 (34.9)	9/32 (7)	5	7.0 / 3.2
1068-8			8 (203.2)	2 5/8 (66.7)											10

## BRENTON PADBOLT

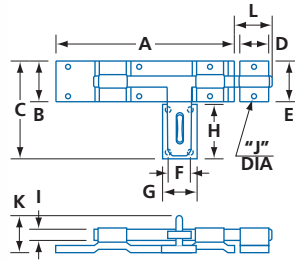


- 1/4" (6.4mm) mounting screws required
- Finish: zinc plated

MODEL NUMBER	MATERIAL	FINISH	A	B	C	D DIA	E THROW	F DIA	G	H	I DIA	J SQ	PER BAG	WEIGHT LBS / KG
1006	Steel	C2G	2 3/16 (55)	6 3/4 (171)	1 5/8 (41)	5/8 (16)	1 3/4 (44)	5/8 (15.9)	2 7/16 (62)	1 7/16 (37)	7/32 (5.5)	17/64 (6.7)	1	1.14 / 0.52

R1 07/08

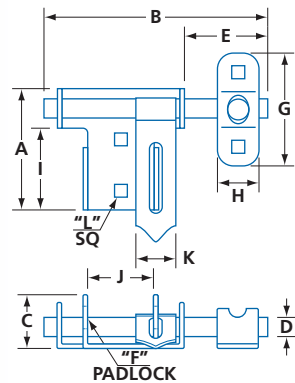
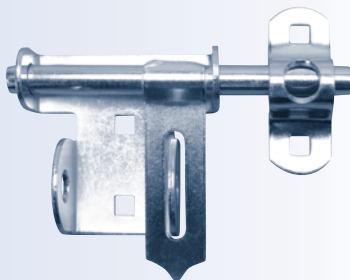
## UTILITY PADBOLT



- Model #1419 is a heavy-duty padbolt
- Model #H1419 is an extra heavy-duty padbolt
- Finish: model #1419 is available in black jappaned (KJ), and hot-dip galvanized (GV). Model #H1419 is available in black jappaned (KJ)

MODEL NUMBER	MATERIAL	FINISH	A	B	C	D	E	F	G	H	I DIA	J DIA	K	L THROW	PER PIECE	WEIGHT LBS / KG
1419	Steel	C1B, GV	10	2 1/2	5 1/2	1 5/8	2 1/2	1 1/2	2	3	5/8 (16)	9/32 (6.8)	1 7/8 (45)	2 (50.8)	1	2.66 / 1.21
H1419		C1B	(254)	(63)	(140)	(41)	(63)	(38)	(51)	(76)	3/4 (19)					2.9 / 1.31

## UNIVERSAL PADBOLT



- Padlock in either locked or unlocked position
- Finish: zinc plated (ZP)

MODEL NUMBER	MATERIAL	FINISH	A	B	C	D DIA	E THROW	F DIA	G	H	I	J	K	L SQ	PER BOX	WEIGHT LBS / KG
2205	Steel	C2G	3 (76.2)	5 1/2 (139.7)	1 5/16 (33.3)	1/2 (12)	2 (50.8)	1/2 (12.7)	2 3/4 (69)	1 (25)	2 (50.8)	1 11/16 (42.9)	1 (25)	5/16 (7.9)	5	3.96 / 1.8

R1 07/08