



The Dorex DM series heavy-duty mortise locks are designed for rugged high traffic institutional, commercial or residential applications. Available in a wide variety of functions, trim styles and finishes. DM series mortise locks provide a clean architectural appearance and offer maximum flexibility.

www.dorex.com

DOREX | **DM series**
GRADE 1 MORTISE LOCKSETS

TRIM DESIGNS

- Solid, heavy-duty trims
- Sectional or escutcheon series
- Lever and ball knob trim styles

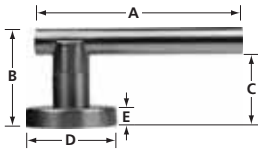
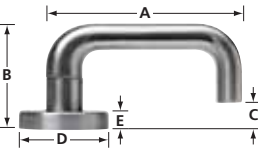
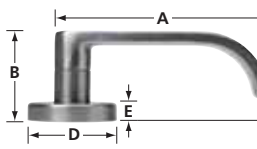
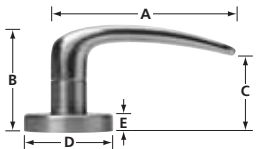
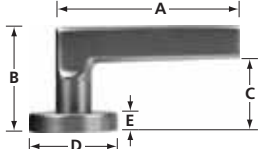
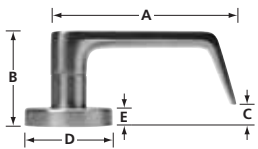
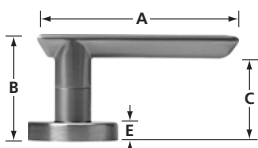

FEATURES

- Adjustable for doors bevelled from 1/8" (3mm) in 2" (51mm) to flat
- Field reversible handing
- Fits 1 3/4" (45mm) door thickness
- Kits available for 2" (51mm) and 2 1/4" (57mm) thicknesses
- Backset 2 3/4" (70mm)
- Stainless steel or brass deadbolt with hardened steel pins and 1" (25mm) throw
- Stainless steel or brass latch-bolt with 3/4" (18mm) throw
- Rocker type chrome plated brass toggle
- Schlage "C", 6-pin drilled for CMK 1 1/8" (29mm) mortise cylinder for sectional trims and 1 1/4" (32mm) for escutcheon trims, with cloverleaf cam
- Non-handed curved lip strike
- Corrosion resistant steel construction lock case
- Conforms to ANSI A156.13 2002, Series 1000, Grade 1
- cULus listed "A" label (3 hours) for use on single or double fire doors
- 5 year limited warranty

SELECTION GUIDE: SECTIONAL

CIRCA 	CORNELL 	DARTMOUTH 	GLASGOW 	ALL TRIM STYLES ALSO AVAILABLE IN ESCUTCHEON SERIES  ESCUTCHEON DIMENSIONS* WIDTH 1 31/32" (50mm) HEIGHT 8 1/16" (205mm) DEPTH 1/2" (13mm) <small>*Custom dimensions available upon request</small>
LINEA 	STANFORD 	THE FLAT 	KENT 	

SIZE CHART

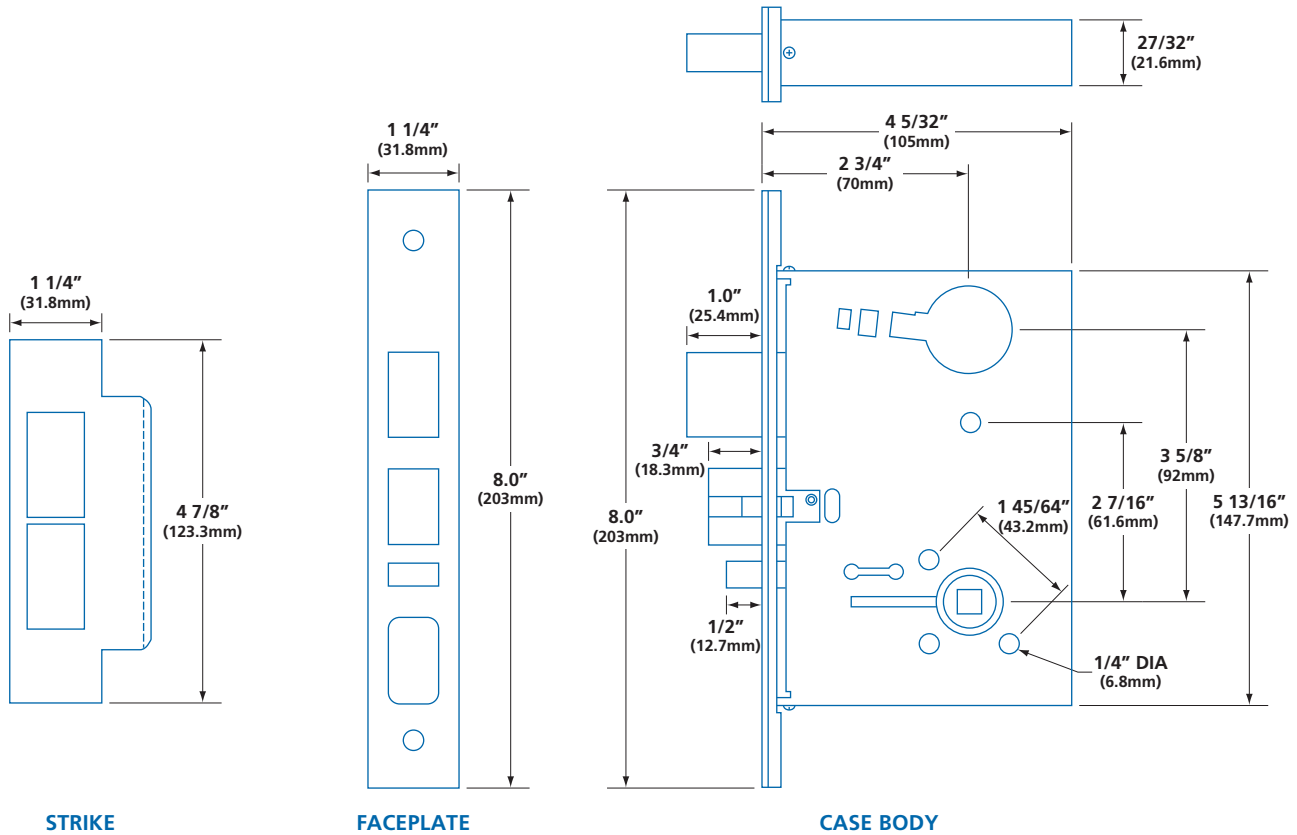
					
					
					
STYLE	A	B	C	D	E
CIRCA	5 1/2 (139.7)	2 9/16 (65.1)	1 55/64 (47.1)	2 13/32 (61.0)	1/2 (12.5)
CORNELL	5 9/32 (134.0)	2 29/32 (73.5)	5/8 (16.0)		
DARTMOUTH	5 7/8 (149.0)	2 13/32 (61.5)	21/32 (17.0)		
GLASGOW	5 1/32 (128.0)	2 27/32 (72.5)	2 1/16 (52.0)		
LINEA	5 (127)	2 13/16 (71.4)	1 29/32 (48.4)		
STANFORD	5 1/32 (128.0)	2 9/16 (65.5)	9/16 (14.0)		
THE FLAT	5 1/2 (139.7)	2 7/8 (73.0)	2 3/16 (55.5)		
KENT	2 (50.8)	2 13/32 (61.0)	N/A		

Dimensions unless specified otherwise are: Inches (Millimeters)

DM SERIES MORTISE LOCKSETS

SPECIFICATION

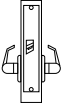

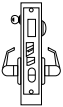
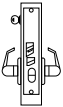
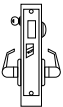
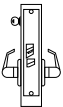
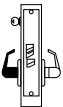
All mortise locks shall be DM series. Locks shall meet ANSI/BHMA A156.13 series 1000 Grade 1 standards for mortise locks. All locks shall have a 2 3/4" (70mm) backset with a 3/4" (18mm) latchbolt throw. All deadbolt functions shall have a 1" (25mm) throw stainless steel or brass deadbolt with hardened steel pins. Lock cases shall be of corrosion resistant heavy gauge steel construction and shall be of a standard size to accommodate all lock and latch functions. Locks shall be handed, but easily field reversible without disassembly of the lock case. Lock fronts shall pivot and adjust for flat door edge or bevelled edge up to a standard 1/8" (3mm) in 2" (51mm). Locks shall accommodate standard 1 3/4" (45mm) door thickness. Locks shall be provided with non-handed curved lip strikes. All locks shall be approved for use on 3 hour labelled fire doors and listed by Underwriters Laboratories Inc.



CASE QUANTITIES & GROSS WEIGHT (LBS / KG)

MODEL	QTY	SECTIONAL							ESCUTCHEON								
		CIRCA	CORNELL	DARTMOUTH	GLASGOW	LINEA	STANFORD	THE FLAT	KENT	CIRCA	CORNELL	DARTMOUTH	GLASGOW	LINEA	STANFORD	THE FLAT	KENT
DM 10	6	38.8 / 17.6	37.4 / 17.0	37.4 / 17.0	34.8 / 15.8	40.0 / 18.1	36.1 / 16.4	38.7 / 17.6	30.8 / 14.0	42.8 / 19.4	44.0 / 20.0	42.7 / 19.4	40.0 / 18.2	44.0 / 20.0	38.7 / 17.6	42.7 / 19.4	36.1 / 16.4
DM 42		44.8 / 20.3	42.7 / 19.4	42.7 / 19.4	41.3 / 18.8	46.0 / 20.9	42.7 / 19.4	45.3 / 20.6	37.4 / 17.0	48.8 / 22.1	48.0 / 21.8	46.6 / 21.2	44.0 / 20.0	50.0 / 22.7	45.3 / 20.6	48.4 / 22.0	40.0 / 18.2
DM 45		47.8 / 21.7	46.6 / 21.2	46.6 / 21.2	44.0 / 20.0	49.0 / 22.2	45.3 / 20.6	49.3 / 22.4	39.8 / 18.1	51.8 / 23.5	51.9 / 23.6	50.6 / 23.0	48.0 / 21.8	53.0 / 24.0	49.3 / 22.4	51.5 / 23.4	44.0 / 20.0
DM 50		43.8 / 20.0	42.7 / 19.4	42.7 / 19.4	40.0 / 18.2	45.0 / 20.5	41.4 / 18.8	45.3 / 20.6	36.1 / 16.4	47.8 / 21.7	49.3 / 22.4	48.0 / 21.8	45.3 / 20.6	49.0 / 22.2	46.6 / 21.2	47.3 / 21.5	41.3 / 18.8
DM 56		45.8 / 20.8	45.3 / 20.6	45.3 / 20.6	42.7 / 19.4	48.0 / 21.8	44.0 / 20.0	46.6 / 21.2	38.7 / 17.6	49.7 / 22.6	50.6 / 23.0	49.3 / 22.4	46.6 / 21.2	52.0 / 23.6	48.0 / 21.8	49.7 / 22.6	42.7 / 19.4
DM 70		43.8 / 20.0	42.7 / 19.4	42.7 / 19.4	40.0 / 18.2	45.0 / 20.5	41.3 / 18.8	44.0 / 20.0	36.1 / 16.4	47.8 / 21.7	49.3 / 22.4	48.0 / 21.8	45.3 / 20.6	49.0 / 22.2	46.6 / 21.2	47.7 / 21.7	41.3 / 18.8
DM 80		43.8 / 20.0	42.7 / 19.4	42.7 / 19.4	40.0 / 18.2	45.0 / 20.5	41.3 / 18.8	44.0 / 20.0	36.1 / 16.4	47.8 / 21.7	49.3 / 22.4	48.0 / 21.8	45.3 / 20.6	49.0 / 22.2	46.6 / 21.2	47.7 / 21.7	41.3 / 18.8

Dimensions unless specified otherwise are: Inches (Millimeters)

MORTISE LOCK FUNCTION	FUNCTION NUMBER	FUNCTION PICTORIAL	FUNCTION DESCRIPTION
Passage	10		Latchbolt operated by knob or lever from either side at all times.
Privacy	42		Latchbolt operated by knob or lever from either side except when thumbturn projects deadbolt and locks outside knob or lever. Unlock by turning inside knob or lever or by using outside emergency key, which retracts the deadbolt.
Entrance	45		Latchbolt operated by knob or lever from either side except when outside knob or lever is made inoperative by push button rocker. Deadbolt projected by key from outside and by thumbturn from inside. Deadbolt retracted by key from outside. Rotating inside knob or lever retracts both bolts (simultaneous retraction). Auxiliary latch deadlocks latchbolt.
Office	50		Latchbolt operated by knob or lever from either side except when outside knob or lever is made inoperative by push button rocker. Latchbolt may be retracted by key from outside or inside knob or lever. Auxiliary latch deadlocks latchbolt.
Dormitory	56		Latchbolt operated by knob or lever from either side. Deadbolt projected by key from outside and thumbturn from inside. Deadbolt retracted by key from outside or by rotating inside knob or lever retracts both bolts (simultaneous retraction). Extended deadbolt automatically deadlocks latchbolt.
Classroom	70		Latchbolt operated by knob or lever from either side except when outside knob or lever is locked from outside by key. Latchbolt may be retracted by inside knob or lever, or outside knob or lever, when cylinder is unlocked by key. Auxiliary latch deadlocks latchbolt.
Storeroom	80		Latchbolt operated by key from outside or by inside knob or lever. Outside knob or lever is always inoperative. Auxiliary latch deadlocks latchbolt.

ORDERING INFORMATION

DM SERIES	10 FUNCTION	L HANDING	-S TRIM SERIES	S TRIM STYLE	26D FINISH
---------------------	-----------------------	---------------------	--------------------------	------------------------	----------------------

FUNCTION

- 10 Passage
- 42 Privacy
- 45 Entrance
- 50 Office
- 56 Dormitory
- 70 Classroom
- 80 Storeroom

HANDING (field reversible)

- L Left hand
- R Right hand
- X Trim only

TRIM SERIES

- E Escutcheon
- S Sectional

TRIM STYLE

- C Cornell
- D Dartmouth
- F The Flat
- G Glasgow
- K Kent
- L Linea
- R Circa
- S Stanford

FINISH

- 3 Bright brass
- 4 Satin brass
- 10 Satin bronze
- 10B Oil rubbed bronze
- 11P Antique bronze
- 15 Satin nickel
- 26D Satin chrome
- 32D Satin stainless steel

Dimensions unless specified otherwise are: Inches (Millimeters)