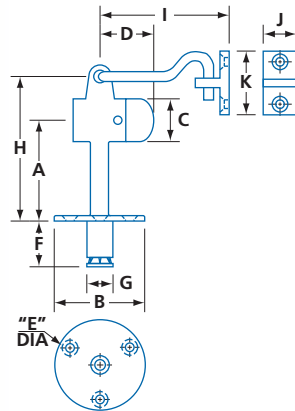


05.020

# DOOR STOPS WITH HOLDER

GENERAL HARDWARE

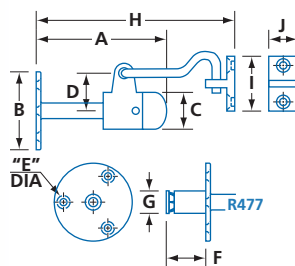
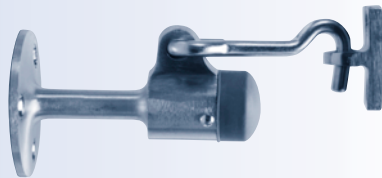
## FLOOR MOUNTED WITH HOOK



- Model #R472 is supplied with door and floor mounting wood screws
- Model #R473 is supplied with door mounting wood screws and floor mounting masonry hardware
- Replacement rubber tip available #R470REP
- Finish: bright brass and satin chrome

MODEL NUMBER	MATERIAL	FINISH	A	B DIA	C DIA	D	E DIA	F	G DIA	H	I	J	K	PER BOX	WEIGHT LBS / KG
R472	Brass	C3, C26D	2 9/16 (65.3)	2 3/16 (55)	1 (25.4)	1 5/16 (33.7)	3/16 (5)	N/A	N/A	3 5/16 (84.8)	2 3/4 (70)	13/16 (20.5)	1 1/2 (38.7)	10	6.2 / 2.8
R473			1 3/16 (30)	5/8 (15.9)											

## WALL MOUNTED WITH HOOK



- Model #R476 is supplied with door and wall mounting wood screws
- Model #R477 is supplied with door mounting wood screws and wall mounting masonry hardware
- Replacement rubber tip available #R470REP
- Finish: bright brass and satin chrome

MODEL NUMBER	MATERIAL	FINISH	A	B DIA	C DIA	D	E DIA	F	G DIA	H	I	J	PER CASE	WEIGHT LBS / KG
R476	Brass	C3, C26D	3 9/16 (90.5)	2 3/16 (55)	1 (25.4)	1 (25.4)	3/16 (5)	N/A	N/A	5 3/8 (136)	1 1/2 (38.7)	13/16 (20.5)	10	6.0 / 2.7
R477			1 3/16 (30)	5/8 (15.9)										

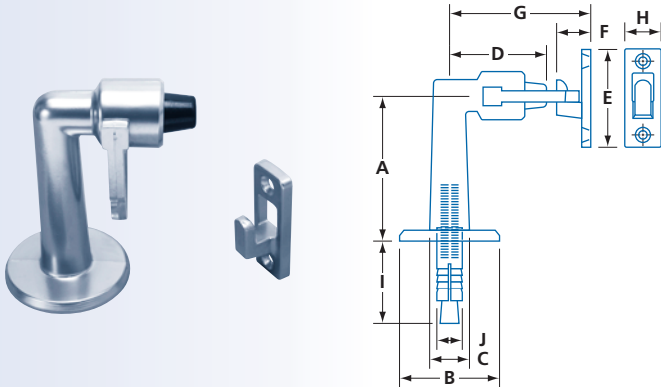
R1 07/08

05.021

# DOOR STOPS WITH HOLDER

GENERAL HARDWARE

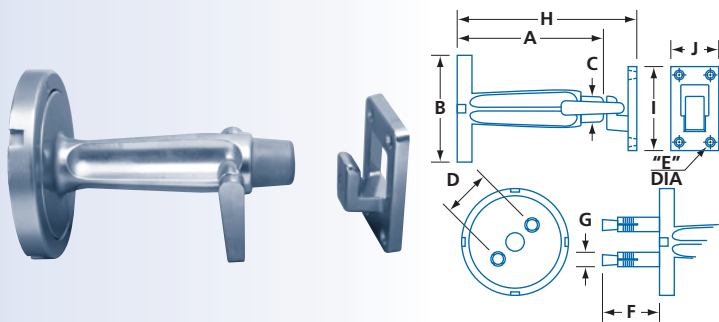
## FLOOR MOUNTED WITH HOOK



- Supplied with door mounting wood screws and floor mounting masonry hardware
- Finish: satin chrome

MODEL NUMBER	MATERIAL	FINISH	A	B DIA	C DIA	D	E	F	G	H	I	J DIA	PER BOX	WEIGHT LBS / KG
DC580	Zinc die-cast	C26D	3 1/8 (80)	2 3/16 (55)	7/8 (22)	2 1/8 (54)	2 1/8 (54)	3/4 (19)	3 1/8 (79)	13/16 (20)	1 7/8 (47.6)	9/16 (14)	6	5.0 / 2.3

## WALL MOUNTED WITH HOOK



- Heavy-duty door stop with hook for heavy doors
- Supplied with door mounting machine screws and wall mounting masonry hardware
- Finish: satin chrome

MODEL NUMBER	MATERIAL	FINISH	A	B DIA	C DIA	D	E DIA	F	G DIA	H	I	J	PER PIECE	WEIGHT LBS / KG
DCX20	Zinc die-cast	C26D	4 7/8 (124)	3 9/16 (90)	7/8 (22.1)	1 5/8 (40.7)	3/16 (5.2)	1 7/8 (48)	1/2 (12.7)	5 13/16 (148.4)	2 3/4 (70)	1 9/16 (40)	1	2.2 / 1.0

R1 07/08