



The Dorex 9500 series heavy-duty touch pad exit device offers a sophisticated contoured design and is available with a wide variety of exterior trim and accessory options. This exit device is ideal for use on wood or hollow metal doors and offers exceptional performance for commercial or institutional high traffic applications.

www.dorex.com

DOREX | **9500 series**
GRADE 1 EXIT DEVICES

SPECIFICATION

Exit devices for interior and exterior doors shall be Dorex 9500 series made from heavy gauge steel and shall meet the requirements of ANSI A156.3 Grade 1. The touch pad exit device shall have a 2 3/4" (70mm) backset (retrofit 161 door prep), shall project no more than 2 1/2" (64mm) from the door surface and permit easy installation on either wood or hollow metal doors with moderate to high traffic. The rim mounted exit device shall be non-handed, field sizeable while the vertical mounted exit device shall be handed but field reversible and sizeable. On non-fire labelled doors, dogging of the exit device shall be permitted with the use of a hex key. The exit device shall be supplied with stainless steel latch bolt, stainless steel springs and all the necessary mounting fasteners. **OPTIONAL:** All Dorex 9500 series exit devices shall have a wide variety of exterior trim options. The 9500FV & 9500PV model exit devices shall have top and bottom surface mounted vertical rods. The 9500FL & 9500PL model exit devices shall have a top surface mounted vertical rod. The 9500FL model exit device shall also have an auxiliary fire latch.

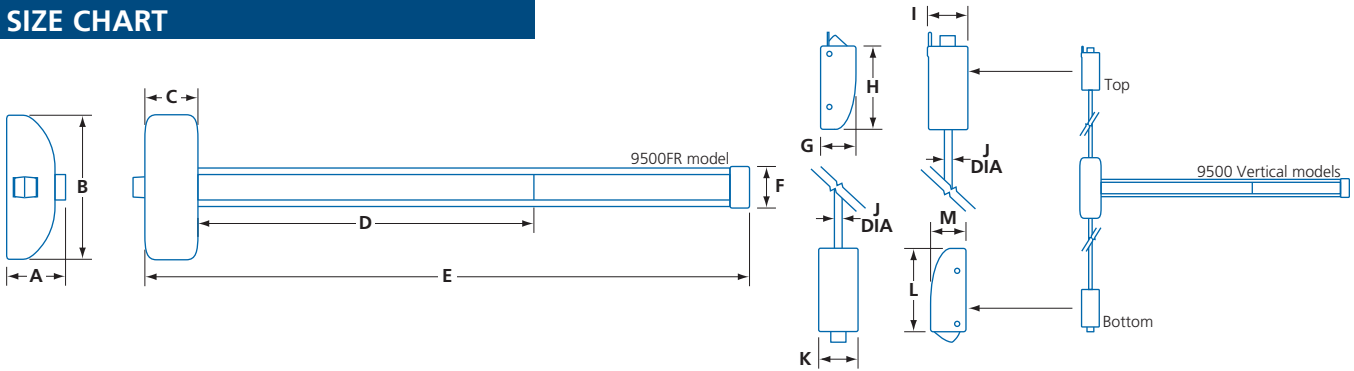
SELECTION GUIDE

MODEL NUMBER	TYPE	DESCRIPTION	DOOR WIDTH	DOOR HEIGHT	FINISH	PER CASE	WEIGHT LBS/KG	
9500PR3	"Panic Hardware" labelled models with touch pad dogging	Rim exit device, non-handed	30 to 36 (762 to 914)	N/A	28, 32D	4	40.0 / 18.2	
9500PR4		Rim exit device, non-handed	36 to 48 (914 to 1219)				49.5 / 22.5	
9500PV37		Surface vertical rod exit device, handed	30 to 36 (762 to 914)				Max. 84 (2134)	51.0 / 23.2
9500PV48		Surface vertical rod exit device, handed	36 to 48 (914 to 1219)				Max. 96 (2438)	58.6 / 26.6
9500PL37	"Fire Exit Hardware" labelled models, 3 hour rating, non-dogging	Surface vertical rod exit device less bottom rod, handed	30 to 36 (762 to 914)	Max. 84 (2134)			56.0 / 25.4	
9500PL48		Surface vertical rod exit device less bottom rod, handed	36 to 48 (914 to 1219)	Max. 96 (2438)			54.0 / 24.5	
9500FR3		Rim exit device, non-handed	30 to 36 (762 to 914)	N/A			43.6 / 19.8	
9500FR4		Rim exit device, non-handed	36 to 48 (914 to 1219)				52.2 / 23.7	
9500FV37	Surface vertical rod exit device, handed	30 to 36 (762 to 914)	Max. 84 (2134)		60.5 / 27.5			
9500FV48	Surface vertical rod exit device, handed	36 to 48 (914 to 1219)	Max. 96 (2438)		70.0 / 31.8			
9500FL37	"Fire Exit Hardware" labelled models, 3 hour rating, non-dogging	Surface vertical rod exit device less bottom rod, handed	30 to 36 (762 to 914)	Max. 84 (2134)	52.0 / 23.6			
9500FL48		Surface vertical rod exit device less bottom rod, handed	36 to 48 (914 to 1219)	Max. 96 (2438)	67.0 / 30.5			

FEATURES

- Non-handed rim mounted type
- Reversible handed surface vertical rod mounting type
- Made from heavy gauge steel
- Less bottom rod option available
- Field reversible and sizeable
- 2 3/4" (70mm) backset can retrofit 161 door prep with additional door preparation
- Available for door widths 30" (762mm) to 36" (914mm) and 36" (914mm) to 48" (1219mm)
- Wide variety of optional exterior trims
- Wide variety of optional accessories
- Stainless steel latch bolt has 3/4" (19mm) throw
- Stainless steel springs
- Finish: painted metallic aluminum or stainless steel
- Dogging by hex key on non-fire labelled device
- Conforms to ANSI A156.3, Grade 1
- cULus listed for Panic Hardware
- cULus listed for 3 hours Fire Exit Hardware
- 5 year limited warranty

SIZE CHART



MODEL NUMBER	A	B	C	D	E	F	G	H	I	J DIA	K	L	M
9500PR3 9500FR3					32 1/2 (825)								
9500PR4 9500FR4					44 1/2 (1130)		N/A	N/A	N/A	N/A	N/A	N/A	N/A
9500PV3 9500PV4	2 1/2 (63)	7 11/16 (195)	2 11/16 (68)	21 13/16 (554)	32 1/2 - 44 1/2 (825 - 1130)	2 1/8 (54)	1 11/16 (43)		2 1/8 (54)			3 15/16 (100)	1 21/32 (42)
9500PL3 9500PL4					32 1/2 - 44 1/2 (825 - 1130)			3 15/16 (100)		1/2 (12.7)	2 1/8 (54)		N/A
9500FV3 9500FV4					32 1/2 - 44 1/2 (825 - 1130)							3 15/16 (100)	1 21/32 (42)
9500FL3 9500FL4					32 1/2 - 44 1/2 (825 - 1130)		2 1/32 (52)		2 5/8 (67)				N/A

28 – Aluminum 32D – Satin stainless steel DIA – Diameter N/A – Not applicable

Dimensions unless specified otherwise are: Inches (Millimeters)

9500 SERIES EXIT DEVICES

TRIM STYLES



SELECTION GUIDE

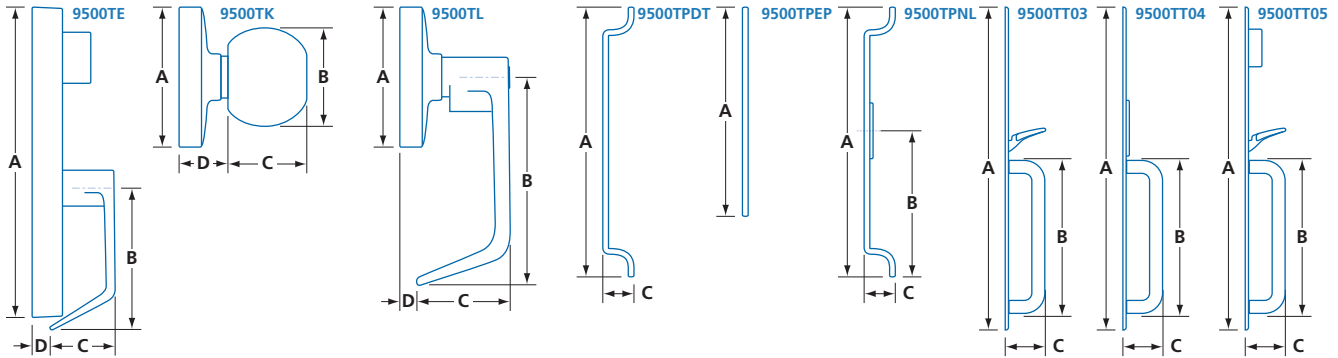
MODEL NUMBER	FUNCTION	DESCRIPTION	FINISH	PER CASE	WEIGHT LBS / KG	
9500TE10	Passage	Escutcheon lever trim	26D, 28	20	48.8 / 22.2	
9500TE70	Entrance / classroom		26D, 28		60.8 / 27.6	
9500TE70IC*	Entrance / classroom IC, less core		26D		58.0 / 26.4	
9500TE80	Storeroom		26D, 28		60.8 / 27.6	
9500TE80IC*	Storeroom IC, less core		26D		58.0 / 26.4	
9500TK10	Passage		Knob trim		26D	20
9500TK70	Entrance / classroom	40.4 / 18.4				
9500TK80	Storeroom	40.4 / 18.4				
9500TL10	Passage	Lever trim	26D	20	42.2 / 19.2	
9500TL70	Entrance / classroom				44.6 / 20.3	
9500TL70IC*	Entrance / classroom IC, less core				41.0 / 18.6	
9500TL80	Storeroom				44.6 / 20.3	
9500TL80IC*	Storeroom IC, less core				41.0 / 18.6	
9500TT03	Passage / function #3				Thumbpiece trim	28, 32D
9500TT04	Storeroom / function #4	Round pull trim, night latch	44.0 / 20.0			
9500TT05	Entrance / function #5	Thumbpiece trim mortise cylinder	56.0 / 25.4			
9500TPDT	Function #2	Pull dummy	28, 32D	20	10.6 / 4.8	
9500TPEP	Function #1				Blank plate	30.0 / 13.6
9500TPNL	Function #4				Pull trim, night latch	23.2 / 10.5

*SFIC "Best" format 7-pin (cylinder not included)

26D – Satin chrome 28 – Aluminum 32D – Satin stainless steel

Dimensions unless specified otherwise are: Inches (Millimeters)

SIZE CHART



MODEL*	A	B	C	D	E**
9500TE†	8 3/16 (223.8)	4 5/8 (118.0)	1 7/8 (41)	1/2 (12.7)	2 1/2 (63)
9500TK	3 3/8 (86) DIA	2 1/4 (57) DIA	1 5/8 (41)	1 1/8 (29)	N/A
9500TL		4 7/16 (113)	2 3/16 (55)	3/8 (10)	
9500TPDT	7 13/16 (198)	N/A	1 1/4 (32)		
9500TPEP	5 11/16 (144)		N/A		3 (76)
9500TPNL	7 13/16 (198)	4 1/8 (105)	1 7/32 (31)		
9500TT03†				N/A	
9500TT04†	14 1/2 (368)	6 1/8 (156)	2 1/8 (54)		2 5/8 (67)
9500TT05†					

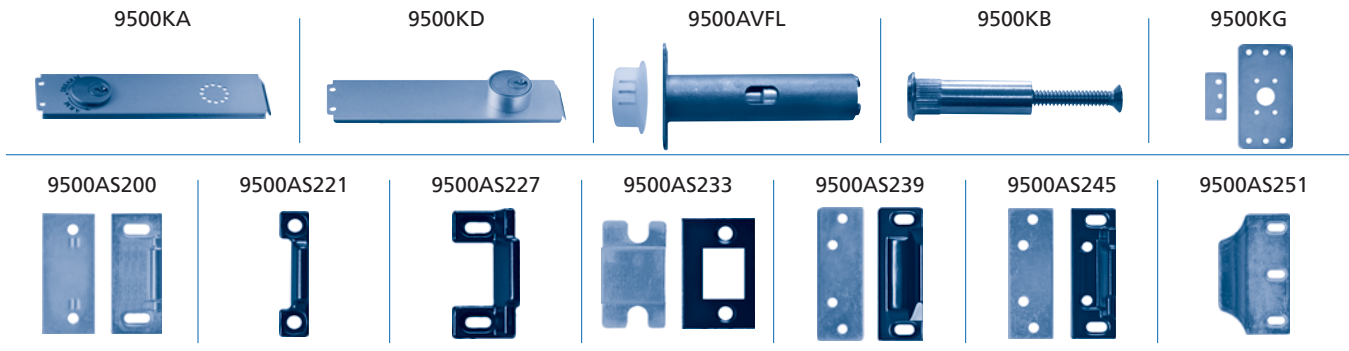
* spindle length accommodates 1 3/4" (45mm) thick doors (where applicable)
 † 2 1/4" (57mm) door thickness kit available

** dimension width of base "E" (not shown)

PARTS & ACCESSORIES

- 9500KA36** Alarm kit for size 3 model exit device
- 9500KA48** Alarm kit for size 4 model exit device
- 9500KD36** Cylinder dogging kit for panic size 3 model exit device
- 9500KD48** Cylinder dogging kit for panic size 4 model exit device
- 9500AT96** Vertical top rod for 96" (2438mm) panic & fire door height
- 9500AT126** Vertical top rod for 126" (3200mm) panic door height
- 9500AVFB** Bottom latch case for fire vertical exit device
- 9500AVFL** Auxiliary fire latch for fire vertical less bottom rod exit device
- 9500AVFT** Top latch case for fire vertical fire exit device
- 9500AVPB** Bottom latch case for panic vertical exit device
- 9500AVPT** Top latch case for panic vertical fire exit device
- 9500ABR** Bottom rod for vertical exit device
- 9500AG** Rod guides for vertical exit device
- 9500KG401** Glass bead shim kit for rim panic & fire exit device
- 9500KG406** Glass bead shim kit for panic vertical exit device
- 9500KG412** Glass bead shim kit for fire vertical exit device

- 9500KB357** Sex nut bolt kit for rim exit device, 1 3/4" (44.5mm) door thickness (kit of 6)
- 9500KB363** Sex nut bolt kit for rim exit device, 2 1/4" (57.2mm) door thickness (kit of 6)
- 9500KB369** Sex nut bolt kit for vertical exit device, 1 3/4" (44.5mm) door thickness (kit of 14)
- 9500KB375** Sex nut bolt kit for vertical exit device, 2 1/4" (57.2mm) door thickness (kit of 14)
- 9500AS200** Roller strike for panic rim exit device
- 9500AS221** Bottom strike for panic vertical exit device
- 9500AS227** Top strike for panic vertical exit device
- 9500AS233** Flush mounting bottom strike for fire/panic vertical exit device
- 9500AS239** Strike for panic rim exit device
- 9500AS245** Strike for fire rim/vertical exit device
- 9500AS251** Overlapping strike for panic rim exit device, not for use on fire doors
- 9500ACPR** Head cover for panic rim exit device
- 9500ACPV** Head cover for panic vertical exit device
- 9500ACFR** Head cover for fire rim exit device
- 9500ACFV** Head cover for fire vertical exit device



DIA – Diameter N/A – Not applicable

Dimensions unless specified otherwise are: Inches (Millimeters)