

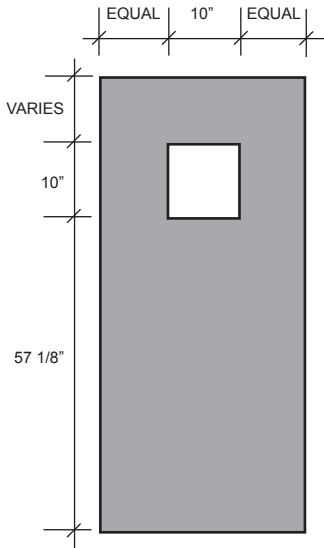


STANDARD VISION LITES

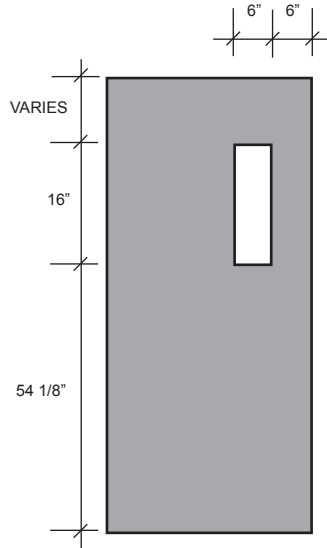
SCREW IN

D - 1

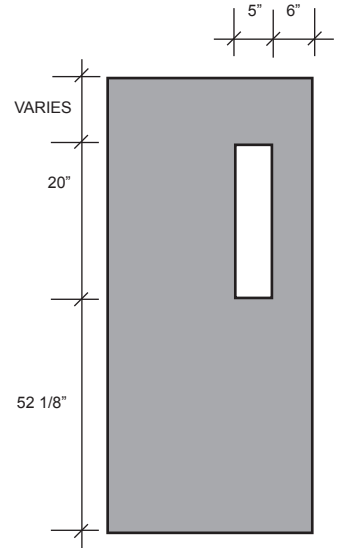
VL1
10" X 10"



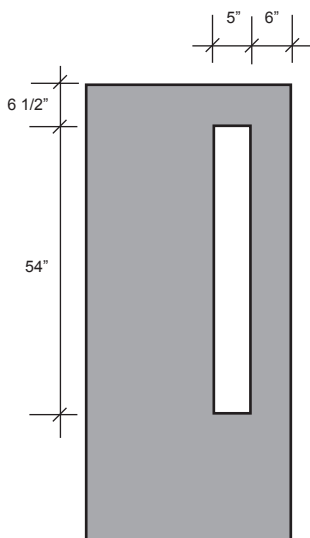
VL2
6" X 16"



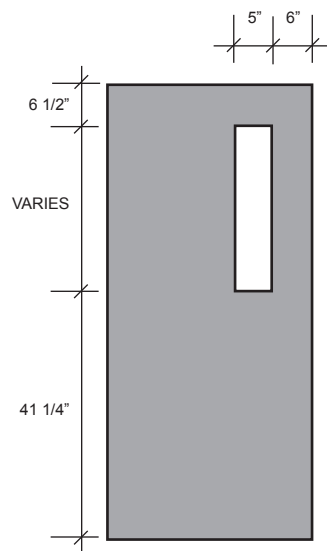
VL3
5" X 20"



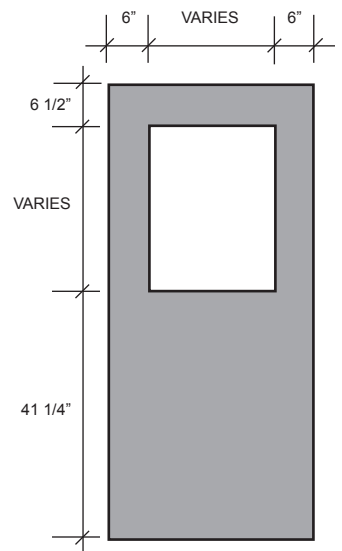
VL4
5" X 54"



VL5
NARROW LITE



VL6
HALF LITE



NOTES

- All lite dimensions shown are nominal lite sizes.
- Removable stops will be applied on wide side (pull side) unless otherwise noted.
- See page PA-7 for standard door glazing details.