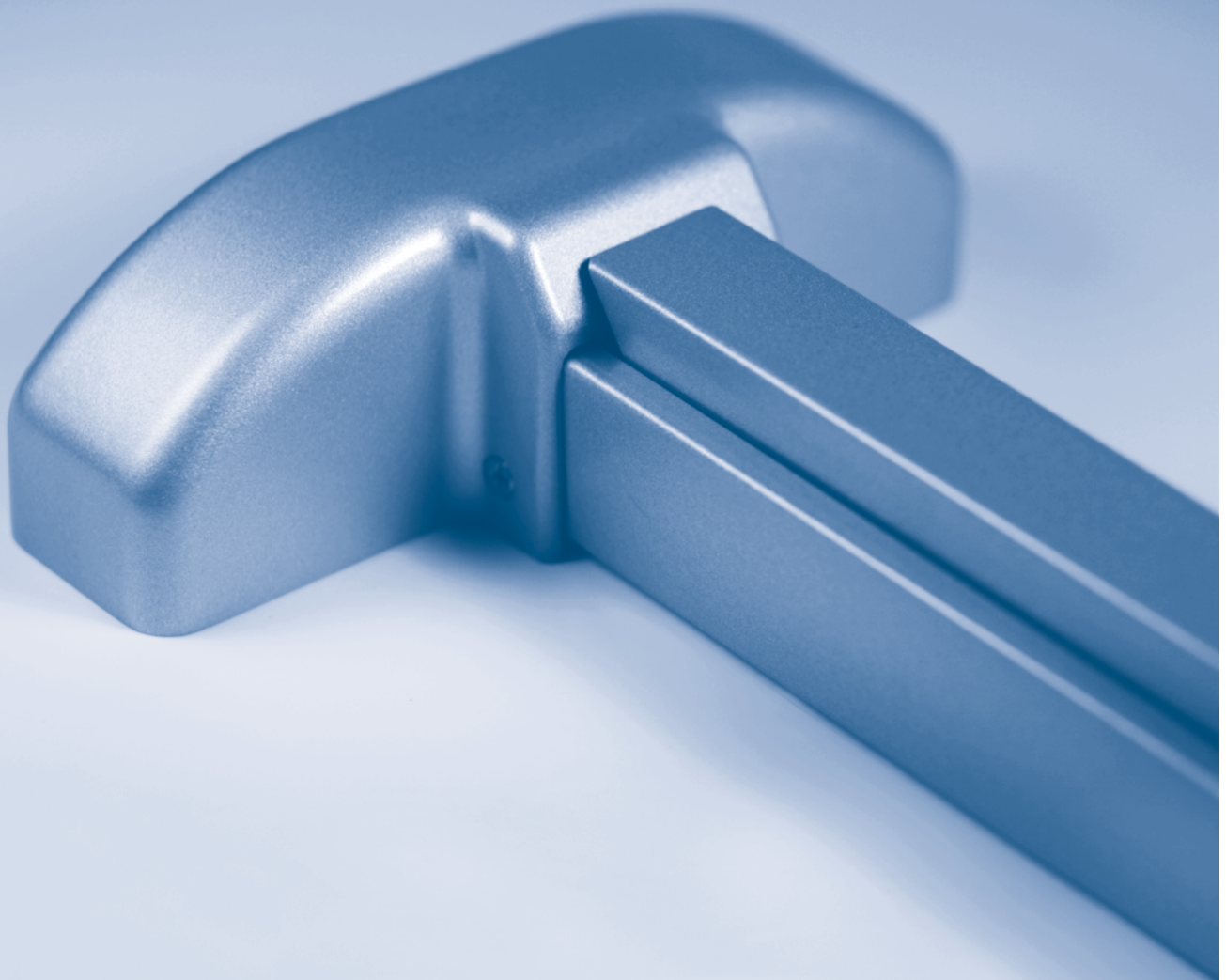


# DOREX 8500 SERIES

TOUCH PAD EXIT DEVICES

**DOREX**

The Dorex 8500 series touch pad exit device offers a sophisticated contoured design and is available with a variety of exterior trim options. This exit device is ideal for moderate use wood or hollow metal door applications. Dorex brand products are recognized for value while delivering leading edge technology.



- Mounting type: non-handed rim or surface vertical rod
- Field sizable
- Easy installation with template
- 2 7/8" (73mm) backset
- Available for door widths 28" (711mm) to 36" (914mm) and 36" (914mm) to 48" (1219mm)
- Optional exterior trims available
- Made from heavy gauge steel
- Stainless steel latch bolts
- Stainless steel springs
- Finish: painted metallic aluminum, polished brass or stainless steel
- Dogging by hex key on non-fire labelled device
- Conforms to ANSI A156.3 Grade 2
- cULus listed for "Panic Hardware"
- F model (1 1/2 hr.) "Fire Exit Hardware"
- 96" (2438mm) door vertical rod extension available
- 1 year limited warranty

8500 MODEL SHOWN. 8500V MODEL ALSO AVAILABLE

[www.dorex.com](http://www.dorex.com)



# 06.030

# DOREX 8500 SERIES EXIT DEVICES

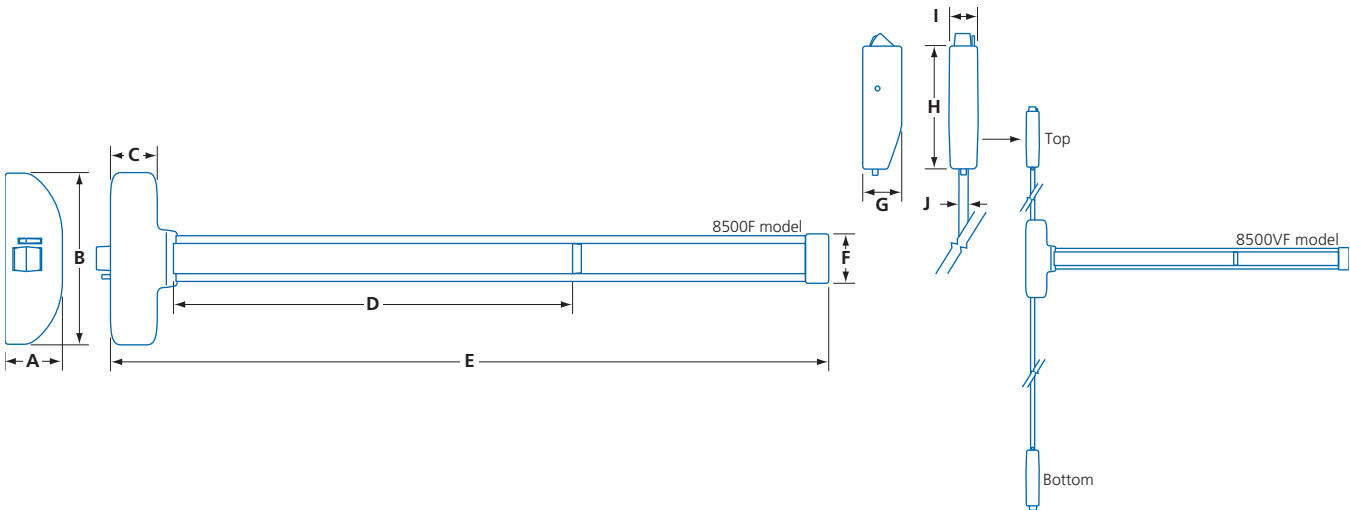
## SPECIFICATION

Exit devices for interior and exterior doors shall be Dorex 8500 series made from heavy gauge steel and shall meet the requirements of ANSI A156.3, Grade 2. The touch pad exit device shall have a 2 7/8" (73mm) backset and permit easy installation on either wood or hollow metal doors with moderate traffic. The exit device shall be non-handed, field sizeable, and shall project no more than 2 9/16" (65mm) from the door surface. On non-fire labelled doors, dogging of the exit device shall be permitted with the use of a hex key. The exit device shall be supplied with stainless steel latch bolts, stainless steel springs and all the necessary mounting fasteners. **OPTIONAL:** All Dorex 8500 series exit devices shall have a wide variety of exterior trim options. The Dorex 8500V exit device shall have surface mounted vertical rods.

## SELECTION GUIDE

MODEL NUMBER	TYPE	DESCRIPTION	DOOR WIDTH	FINISH	PER CASE	WEIGHT LBS / KG
8500	"Panic Hardware" labelled models with hex key dogging	Rim exit device	28 to 36 (711 to 914)	C28, C3, C32D	4	45.8 / 20.8
8500-48			36 to 48 (914 to 1220)	C28, C32D		53.5 / 24.3
8500V		Surface vertical rod exit device	28 to 36 (711 to 914)	C28, C32D		64.0 / 29.1
8500F	"Fire Exit Hardware" labelled models, 1 1/2 hour rating, non-dogging	Rim exit device	28 to 36 (711 to 914)	C28, C3, C32D		46.6 / 21.2
8500VF		Surface vertical rod exit device	28 to 36 (711 to 914)	C28, C3, C32D	65.6 / 29.8	

## SIZE CHART



MODEL	A	B	C	D (36")	D (48")	E (36")	E (48")	F	G	H	I	J
8500	2 9/16 (65)	7 11/16 (195)	2 (50.8)	18 (457)	30 (762)	33 1/4 (845)	45 5/16 (1150)	1 15/16 (50)	N/A	N/A	N/A	N/A
8500V									2 (50.8)	5 7/8 (149)	1 3/8 (35)	3/8 (10)

## TRIMS & ACCESSORIES

Please consult the trims and accessories page at the end of the section.

Note: 8500VF exit device is labelled "Fire Exit Hardware" by cULus for maximum 36" (914mm) x 84" (2134mm) size doors only. Extension rod 8500EXT96C28 is to be installed with model 8500V only.